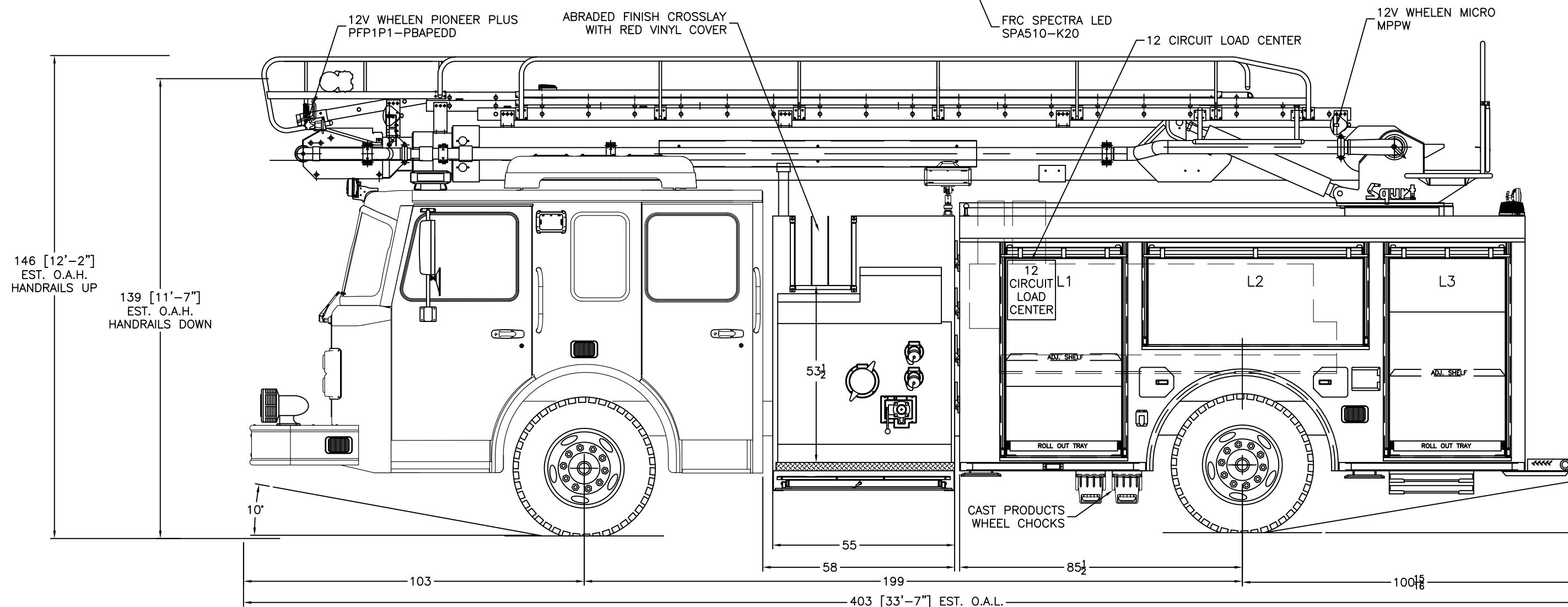
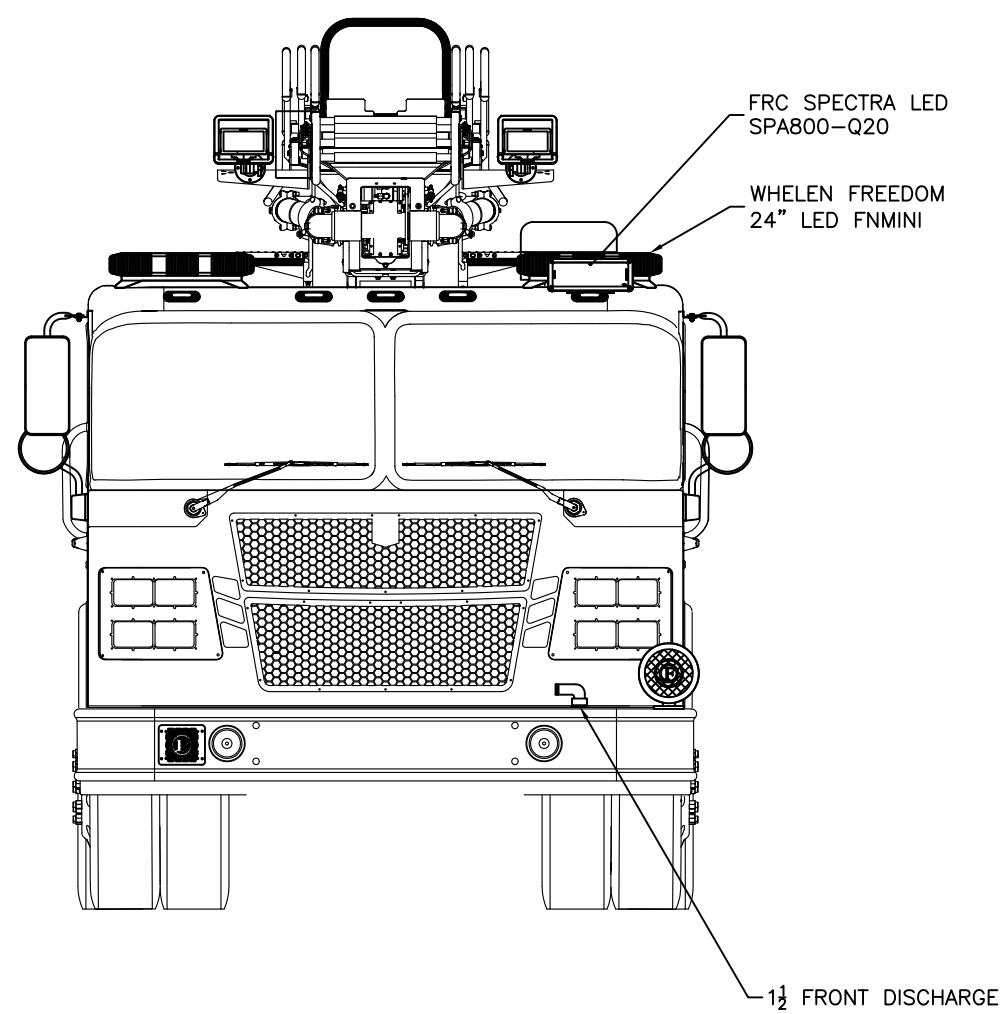
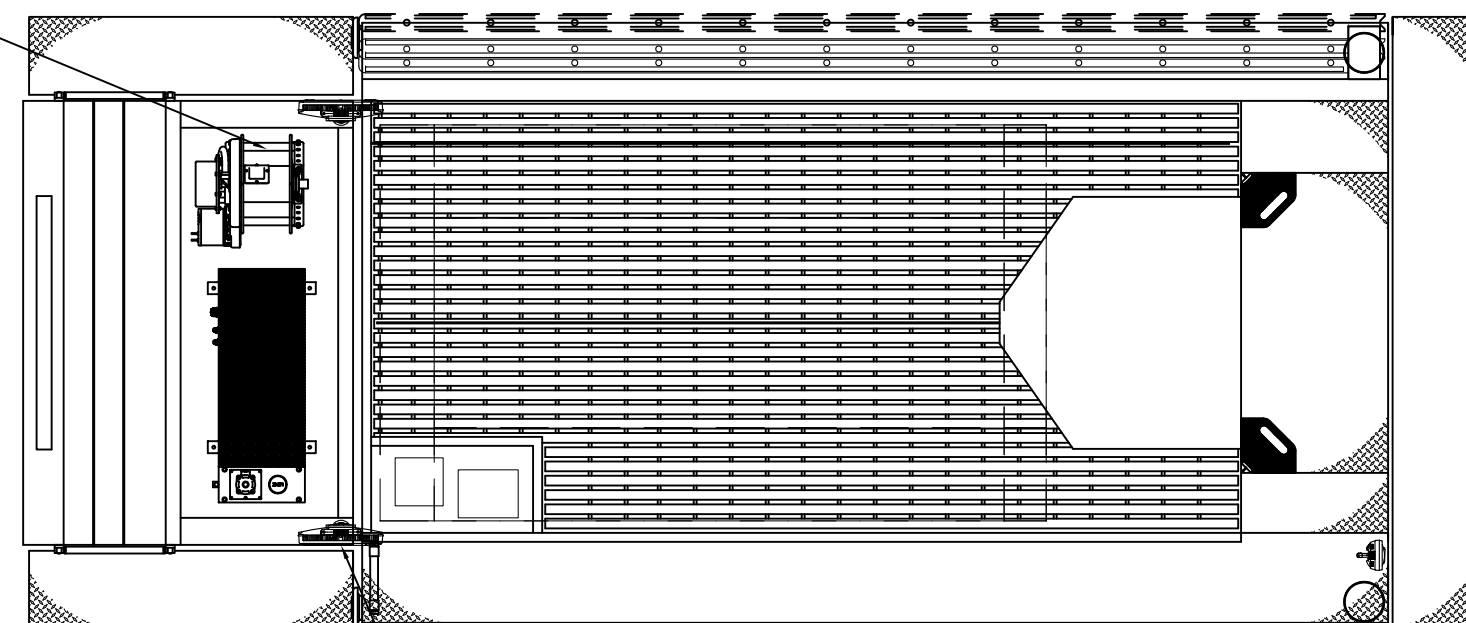


GROUND LADDERS & PIKE POLES			
ITEM	DESCRIPTION	MODEL	QTY
A	24' 2 SEC	PEL-24	1
B	14' ROOF	PRL-14	1
C	10' ATTIC	FL-10	1
D	6' PIKE POLE	UL-6	1
E	10' PIKE POLE	UL-10	1

COMPT.	OPENING	UPPER	DEPTH	LOWER
L1	35W x 59H	14	24	
L2	65W x 26H	14	-	
L3	35W x 59H	14	24	
R1	35W x 34H	14	-	
R2	65W x 8H	13	-	
R3	35W x 34H	24	-	
INTERMEDIATE DIVIDE HEIGHT				
L1	21		L3	43

120V HANNAY REEL
ECR1616-17-18



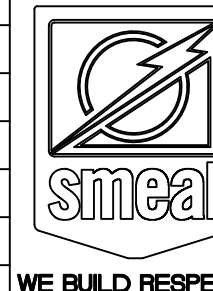
NOTE:
DIMENSIONS SHOWN ARE APPROXIMATE AND ARE SUBJECT TO CHANGE AS MAY BE FOUND NECESSARY DURING CONSTRUCTION. MINOR DETAILS MAY NOT BE SHOWN.

THE DRAWING IS FOR REFERENCE PURPOSES ONLY. SOME ITEMS MAY OR MAY NOT APPEAR ON THE DRAWING THAT MAY OR MAY NOT INCLUDED IN THE SPECIFICATIONS. SPECIFICATIONS SHALL BE THE FINAL AUTHORITY TO BE DETERMINED WHAT IS SUPPLIED ON THE APPARATUS.

CHASSIS: SPARTAN MFD FLAT ROOF
PUMP: WATEROUS CXSC20 1500 GPM
TANK: 750 GAL
FOAM: 20 GAL
HOSEBED: 1000' OF 5" / 200' OF 2-1/2"
GENERATOR: HARRISON 10kW MCR
COMPARTMENTS: 100 CUBIC FEET

PRE-CONSTRUCTION

Date	Approval Signatures	Revisions
	DEALER	
	FIRE CHIEF	
	SALES AD.	
	PRODUCTION	
	ENGINEERING	



Revisions		SMEAL FIRE APPARATUS SNYDER, NE 68664	
		SMEAL DEMO 65' TELESQURT	
Drawn by:	CL	Scale:	3/8"=1'
Chk'd:		Date:	8/27/14
		Material:	
		18 x 24	SD
		Drawing No.:	4390